



EVO_{3.0} ***ATC - ATCK***

WHEN FAN GUN POWER
MEETS LANCE FINESSE

EVO^{3.0} ATC - ATCK

- > Combines the power of a fan gun with the simplicity of a lance
- > Leads to even better and more efficient snowmaking results in terms of snow production, quality, volume and energy efficiency
- > Available with or without compressor

HIGHLIGHTS

- > Automatic fan gun
- > Compact zinc coated tower
- > FRP (fiberglass composite) – barrel with aluminum fan
- > Aluminum nozzle ring
- > Stainless steel water nozzles and brass alloy nucleators
- > Manual rotation 360°
- > Barrel inclination adjustable manually between 0° and 45°
- > Cast aluminum valve block with built-in filter
- > LED spotlight
- > Forced ventilated temperature sensor
- > Mounting only on concrete pit or FRP pit (no overground tapping station)

OPTIONS

- > Oil-free compressor
- > 7.0" touch display to operate the machine including information on water temperature, pressure, throughput, snow quality, air temperature and humidity, energy consumption and statistical values
- > Additional control possibility via wireless LAN with smartphone or tablet

DLC 4.0, DER HOCHLEISTUNGS-SCHALTSCHRANK VON DEMACLENKO

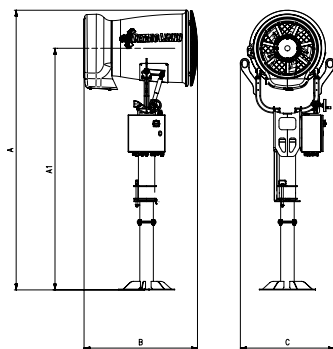
- > Symmetrical load sharing, no neutral conductor requires
- > Designed for 380/400/440/480 V - 50/60 Hz*

*Other voltages available upon request



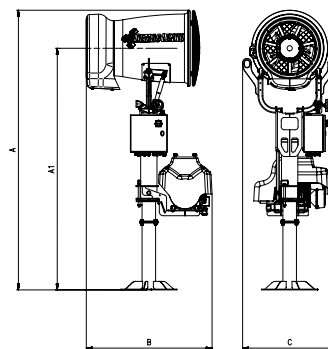
EVO 3.0 ATC

without options



EVO 3.0 ATCK

without options



TECHNICAL DATA

	ATC	ATCK
Height (A1 – A)	2500 – 2800 mm	2500 – 2800 mm
Length (B)	1200 mm	1300 mm
Width (C)	970 mm	970 mm
Weight*	275 kg	360 kg

*With base flange

PERFORMANCES

Operation water pressure	8 – 50 bar
Maximal water flow	7,2 l/s
Maximal snow production	72 m ³ /h
Throwing range	60 m

ELECTRICAL PERFORMANCES

Voltage	380 / 400 / 480 V**
Fan	11 kW
Compressor	4 kW
Heating, lights and small consumers (average)	1,2 kW*
Total input power	12,2 kW (ATC) / 16,2 kW (ATCK)
Frequency	50/60 Hz
Connection plug	63A

*At dew point of -10 °C / **Other voltages available upon request

MECHANICAL CHARACTERISTICS

Nucleators	10
Water nozzles	45
Swinging range (manual)	360°
Barrel inclination (manual)	0-45°
Water connection	2"
Water filter	250 μm

DEMACLENKO HEADQUARTERS

DEMACLENKO IT SRL

Via Gabriel Leitner 1A
IT - 39049 Vipiteno
Tel.: +39 0472 061601

DEMACLENKO TRENTINO

DEMACLENKO TRENTINO SRL

Via Broletti 18
IT - 38050 Castelnuovo
Tel.: +39 0461 1975299

DEMACLENKO AUSTRIA & GERMANY

DEMACLENKO GMBH

Michael-Seeber-Straße 1
AT - 6410 Telfs
Tel.: +43 5262 621 21 3405

DEMACLENKO SWITZERLAND

DEMACLENKO SCHWEIZ GMBH

Im Ehrmerk 11
CH - 8362 Wallenwil
Tel.: +41 (0) 71 9714866

DEMACLENKO FRANCE

LEITNER FRANCE SAS

Voie Galilée - Zone d'activité d'Alpespace CS 50001
FR - 73000 Porte-de-Savoie (Montmélián)
Tel.: +33 (0) 4 79 84 77 77

DEMACLENKO CENTRAL & EASTERN EUROPE

DEMACLENKO SP. Z O.O.

Cieszynska 444
PL - 43300 Bielsko-Biała
Tel.: +48 (0) 338 224 062

DEMACLENKO AMERICA - EASTERN OFFICE

DEMACLENKO AMERICA INC

264 NH Route 106
US - Gilmanton, NH 03237
Tel.: +1 603 267 7840

DEMACLENKO AMERICA - WESTERN OFFICE

DEMACLENKO AMERICA INC

2746 Seeber Drive
US - Grand Junction, CO 81506
Tel.: +1 970 241 4442

DEMACLENKO CHINA

POMA BEIJING ROPEWAY CO LTD

Nr. 57 Mang Niu He Road - Huairou District
CN - 101 407 Beijing
Tel.: +86 106 1666966 8618

DEMACLENKO OCEANIA

LEITNER OCEANIA LTD

14/26 Glenda Drive, Frankton
NZ - 9371 Queenstown
Tel.: +64 (0) 21 138 2928