

CONCRETE PIT SYSTEMS





COMPLETE PIT SYSTEM DEVELOPED ESPECIALLY FOR SNOWMAKING SYSTEMS

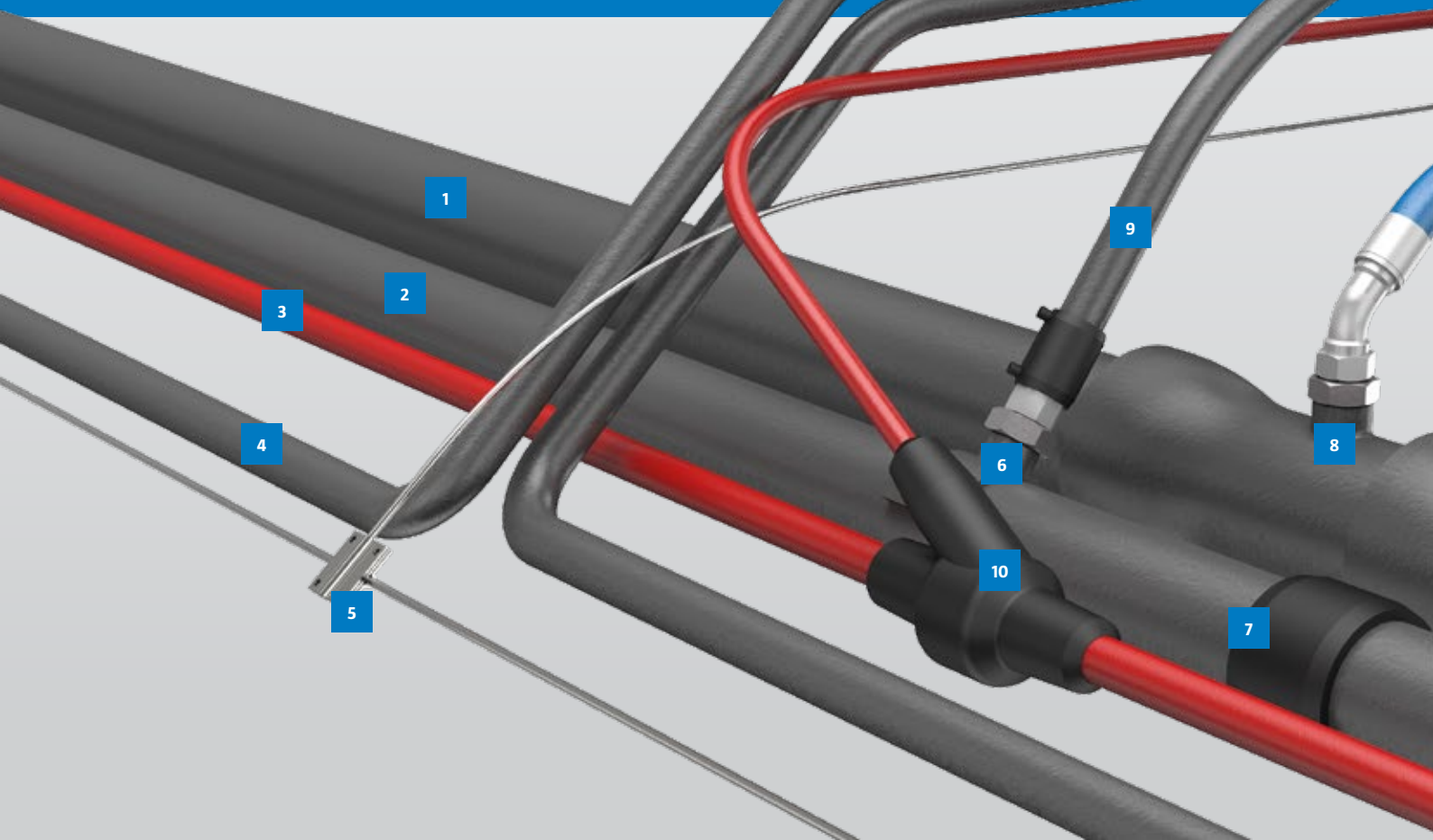
DEMACLENKO's concrete pits stand for easy use and maximum stability and offer a very high level of flexibility as well as comfort at work. Our pit systems, at the cutting edge of technology, are a convincing solution due to the low cost of excavation and the quick and simple assembly of water pipelines, electricity lines, air ducts and control lines. The simple installation together with the great functionality and easy access have made the difference on the market and are important components of an efficient snowmaking system.

- 1 THE **STANDARD VERSION IS REINFORCED** AND THEREFORE SUITED TO **ALL TYPES OF SNOW GUNS AS WELL AS TOWERS AND INCLINED LIFTS** OF UP TO 6 METERS IN HEIGHT
- 2 **QUICK AND EASY TO MOVE** THANKS TO PREPOSITIONED ELEMENTS, ASSEMBLY OPENINGS AND CONNECTIONS
- 3 **MODULAR CONSTRUCTION:** VERSATILE IN ITS USE DUE TO NUMEROUS POSSIBLE COMBINATIONS
- 4 **EASY ACCESS AND SPACIOUS INTERIOR** THANKS TO THE OPTIMAL FORM

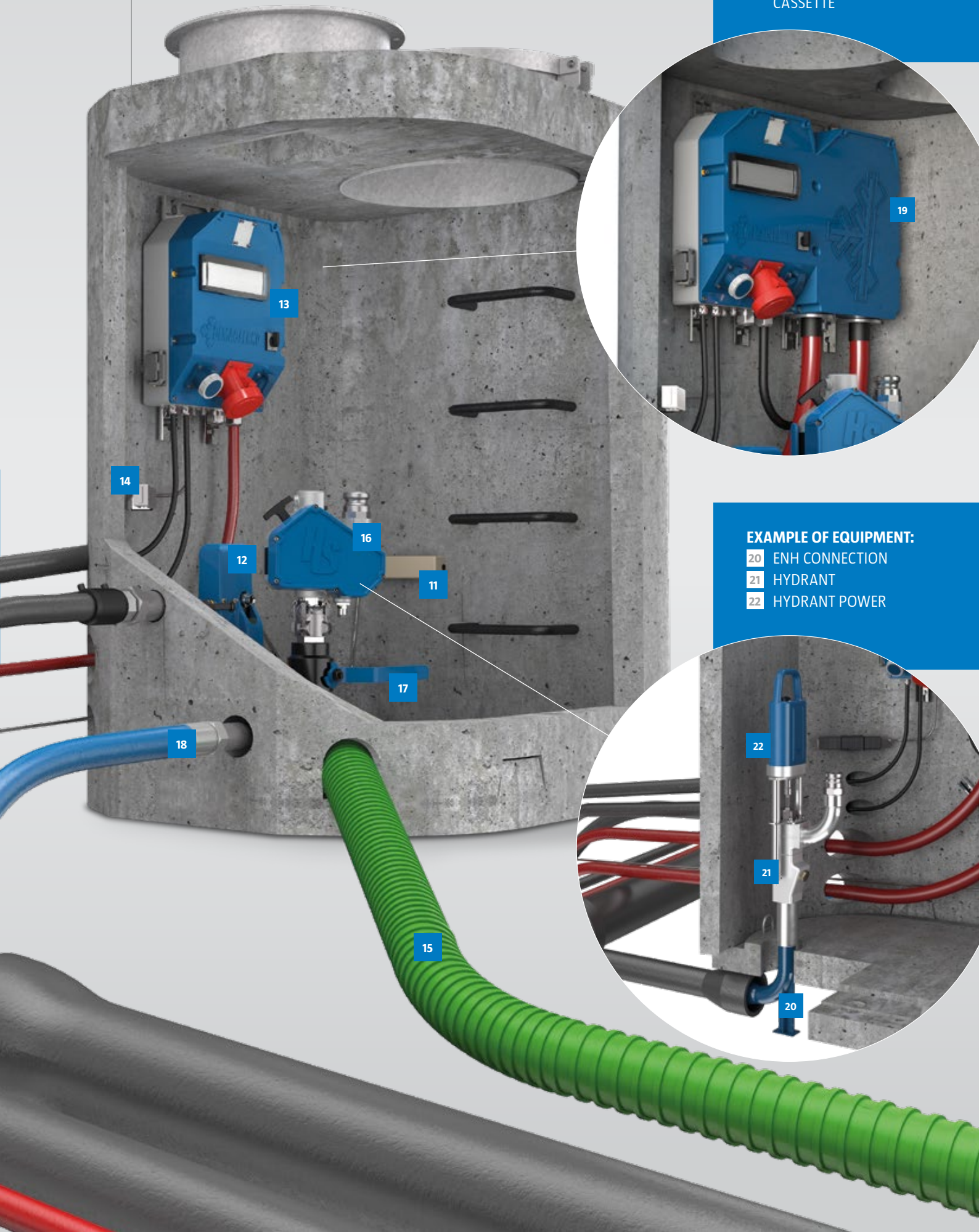
CONCRETE PIT C150

- > Monolithic construction with standard steel reinforcement – version possible in monoblock variant with and without floor or airworthy two-part variant (see next page)
- > Especially developed for high-Alpine use and suited to all terrains
- > Suited for lances, mobile snow guns, fan guns and towers and inclined lifts of up to six meters in height
- > The standard version includes galvanized access hatch, steps embedded directly in the wall, water connection with ball valve, heater (100 watts) and equipotential bonding rail to earth all the steel parts
- > Easy access through the generous access hatch; a separate hatch allows for the direct assembly of permanently placed snow guns
- > Electrical and hydraulic equipment can be combined as needed
- > Electr. connection through branch joints or loop through cassette; electr. supply through proved DLE solid rubber electrical equipment
- > Connections/openings of water pipelines, electricity lines and control lines have already been prepositioned at the ideal height
- > The water connection comes in several versions:
 - Lateral connection via a twofold reinforced hydraulic hose with special PE coating (PN 100), designed for direct burial
 - Lateral connection via a cast iron tap line with transition using P plugs
 - Ground connection via cast iron tap line with transition through ENH piece
- > All components comply with norms for electricity and water as well as standard safety measures

- | | | | | | |
|---|----------------------------------|----|---|----|--|
| 1 | PRESSURE PIPE | 9 | STUB FOR COMPRESSED AIR (PE) | 16 | HYDROSYSTEM |
| 2 | AIR PIPE (PE) | 10 | BRANCH TEE | 17 | BALL VALVE FOR WATER LINE |
| 3 | POWER CABLE | 11 | EQUIPOTENTIAL BONDING RAIL | 18 | SPECIAL HYDRAULIC HOSE WITH PE COATING |
| 4 | DATA CABLE IN CABLE CONDUIT | 12 | AUTOMATIC AIR VALVE WITH BALL VALVE FOR COMPRESSED AIR SUPPLY | | |
| 5 | GROUND WIRE WITH CROSS CONNECTOR | 13 | DLE ELECTRIC EQUIPMENT | | |
| 6 | TAPPING SLEEVE FOR AIR PIPE | 14 | PIT HEATING | | |
| 7 | WELDED SLEEVE JOINT (PE) | 15 | DRAINAGE PIPE | | |
| 8 | BRANCHING OF THE WATER PIPELINE | | | | |



STANDARD VERSION



EXAMPLE OF EQUIPMENT:

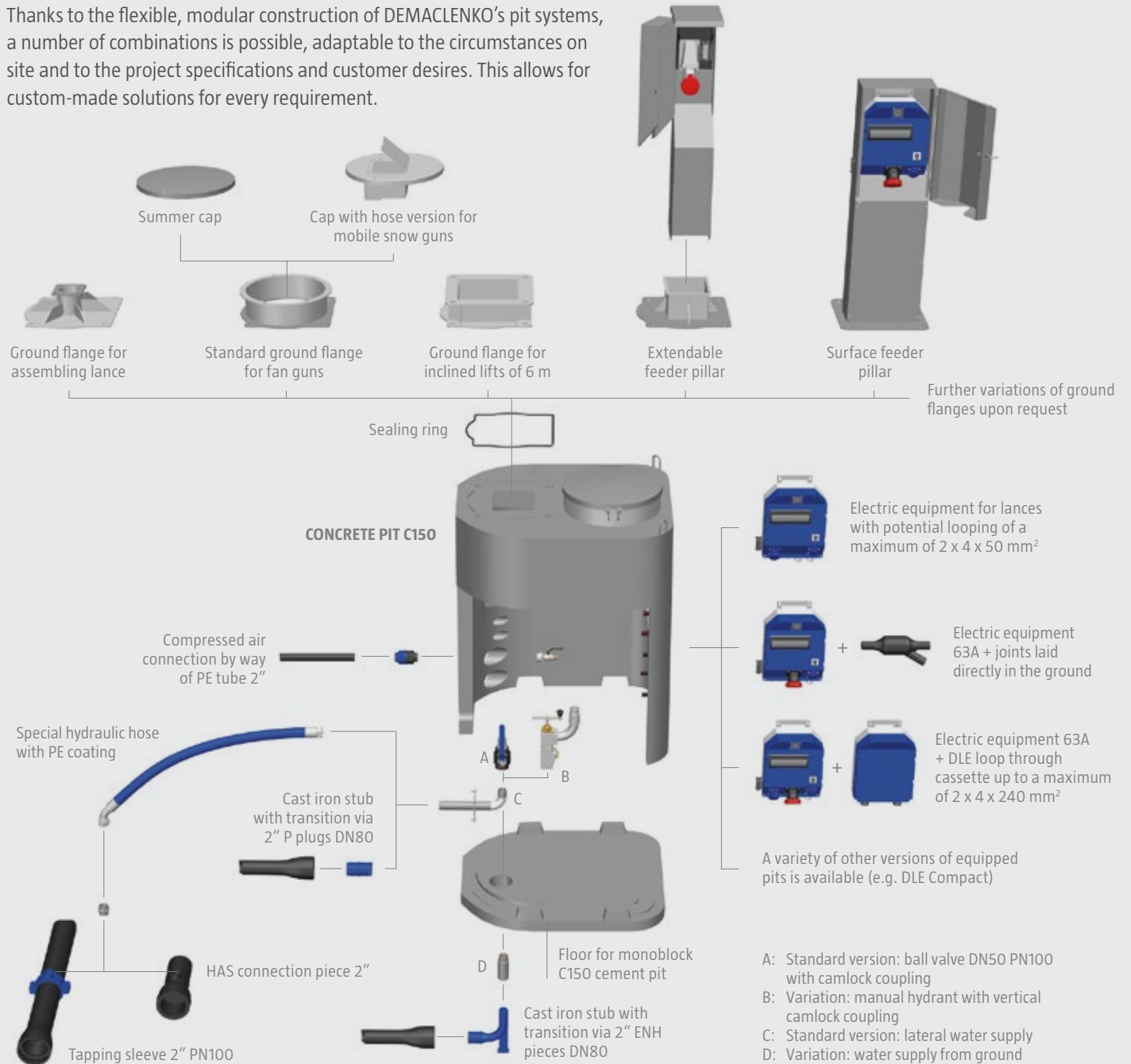
- 19 DLE LOOP THROUGH CASSETTE

EXAMPLE OF EQUIPMENT:

- 20 ENH CONNECTION
- 21 HYDRANT
- 22 HYDRANT POWER

CONFIGURATIONS

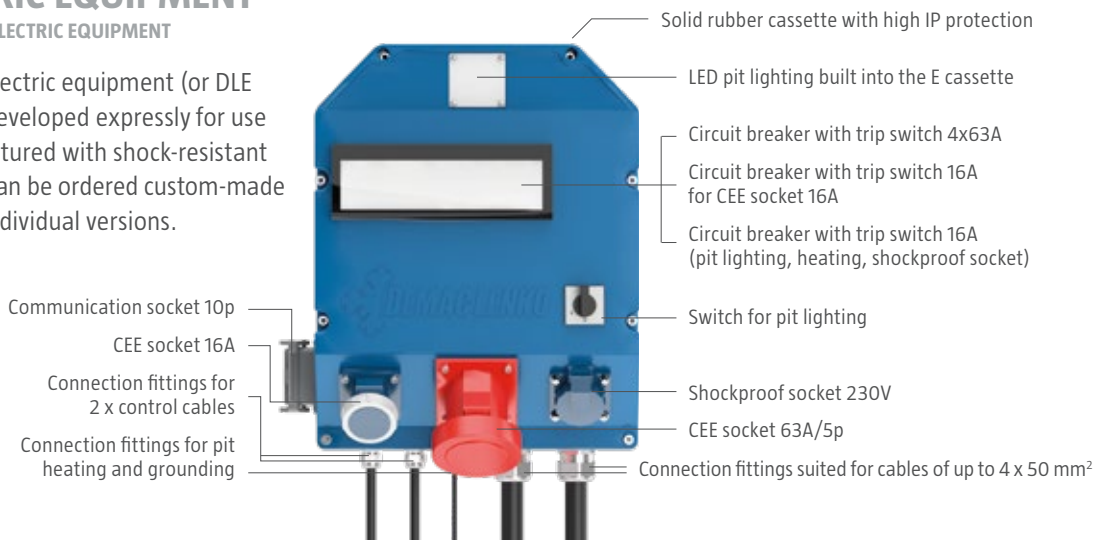
Thanks to the flexible, modular construction of DEMACLENKO's pit systems, a number of combinations is possible, adaptable to the circumstances on site and to the project specifications and customer desires. This allows for custom-made solutions for every requirement.



DLE ELECTRIC EQUIPMENT

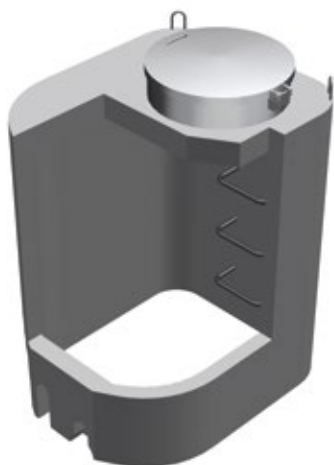
PICTURE: HYBRID ELECTRIC EQUIPMENT

DEMACLENKO electric equipment (or DLE for short) was developed expressly for use in pits. Manufactured with shock-resistant solid rubber, it can be ordered custom-made in a variety of individual versions.



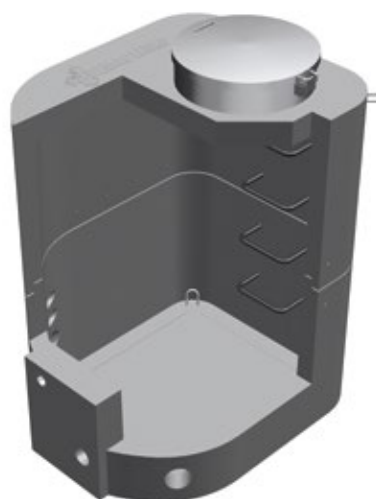
C150 Economy

Internal dimensions height	140 cm
Internal dimensions length x width	110 x 90 cm
External dimensions height	170 cm
External dimensions length x width	130 x 107 cm
Weight	1300 kg
Access hatch	Ø60 cm
Pit heating	100 W



C150 Standard 2-Part

Internal dimensions height	150 cm
Internal dimensions length x width	120 x 100 cm
External dimensions height	190 cm
External dimensions length x width	147 x 120 cm
Weight	2x 1100kg
Access hatch	Ø60 cm
Pit heating	100 W



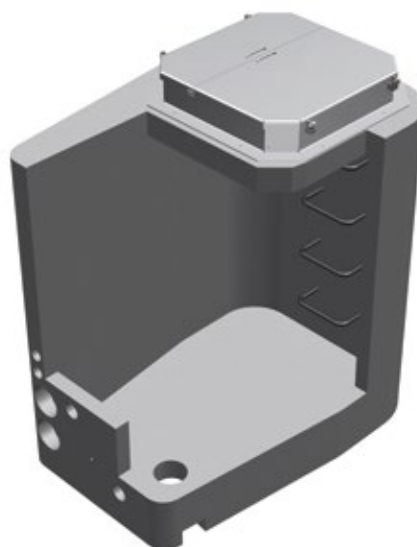
C150 Standard WITH OR WITHOUT FLOOR

Internal dimensions height	150 cm
Internal dimensions length x width	120 x 100 cm
External dimensions height	182 cm
External dimensions height with floor	190 cm
External dimensions length x width	140 x 117 cm
Weight	1685 kg
Weight incl. floor	1965 kg
Access hatch	Ø60 cm
Pit heating	100 W



C150 Premium WITH OR WITHOUT FLOOR

Internal dimensions height	150 cm
Internal dimensions length x width	150 x 100 cm
External dimensions height	175 cm
External dimensions height with floor	183 cm
External dimensions length x width	165 x 117 cm
Weight	1685 kg
Weight incl. floor	1965 kg
Access hatch	80x80 cm
Pit heating	100 W



DEMACLENKO HEADQUARTERS

DEMACLENKO IT SRL

Via Gabriel Leitner 1A
IT - 39049 Vipiteno
Tel.: +39 0472 061601

DEMACLENKO TRENTINO

DEMACLENKO TRENTINO SRL

Via Broletti 18
IT - 38050 Castelnuovo
Tel.: +39 0461 1975299

DEMACLENKO AUSTRIA & GERMANY

DEMACLENKO GMBH

Michael-Seeber-Straße 1
AT - 6410 Telfs
Tel.: +43 5262 621 21 3405

DEMACLENKO SWITZERLAND

DEMACLENKO SCHWEIZ GMBH

Im Ehrmerk 11
CH - 8362 Wallenwil
Tel.: +41 (0) 71 9714866

DEMACLENKO FRANCE

LEITNER FRANCE SAS

Voie Galilée - Zone d'activité d'Alpespace CS 50001
FR - 73802 Montmelian Cedex
Tel.: +33 (0) 4 79 84 77 77

DEMACLENKO CENTRAL & EASTERN EUROPE

DEMACLENKO SP. Z O.O.

Cieszynska 444
PL - 43300 Bielsko-Biała
Tel.: +48 (0) 338 224 062

DEMACLENKO AMERICA - EASTERN OFFICE

DEMACLENKO AMERICA INC

264 NH Route 106
US - Gilmanton, NH 03237
Tel.: +1 603 267 7840

DEMACLENKO AMERICA - WESTERN OFFICE

DEMACLENKO AMERICA INC

2746 Seeber Drive
US - Grand Junction, CO 81506
Tel.: +1 970 241 4442

DEMACLENKO CHINA

POMA BEIJING ROPEWAY CO LTD

Nr. 57 Mang Niu He Road - Huairou District
CN - 101 407 Beijing
Tel.: +86 106 1666966 8618

DEMACLENKO OCEANIA

LEITNER OCEANIA LTD

14/26 Glenda Drive, Frankton
NZ - 9371 Queenstown
Tel.: +64 (0) 21 138 2928