

PIT SYSTEMS IN FRP





COMPLETE PIT SYSTEM DEVELOPED ESPECIALLY FOR SNOWMAKING SYSTEMS

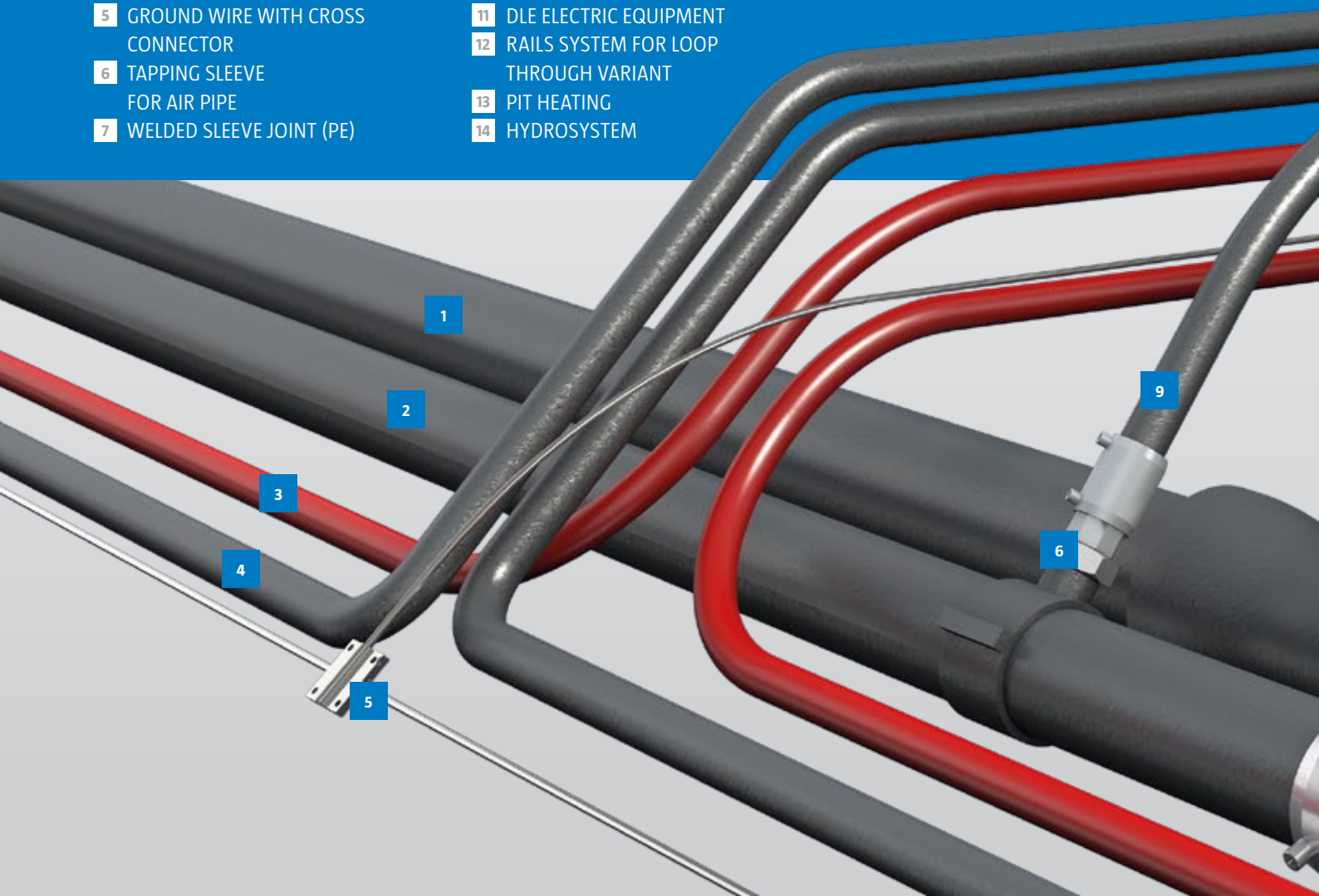
DEMACLENKO's FRP (fiberglass reinforced plastic) pits stand for easy use and maximum stability and offer a very high level of flexibility as well as comfort at work. Our pit systems, at the cutting edge of technology, are a convincing solution due to the low cost of excavation and the quick and simple assembly of water pipelines, electricity lines, air ducts and control lines. The simple installation together with the great functionality and easy access have made the difference on the market and are important components of an efficient snowmaking system.

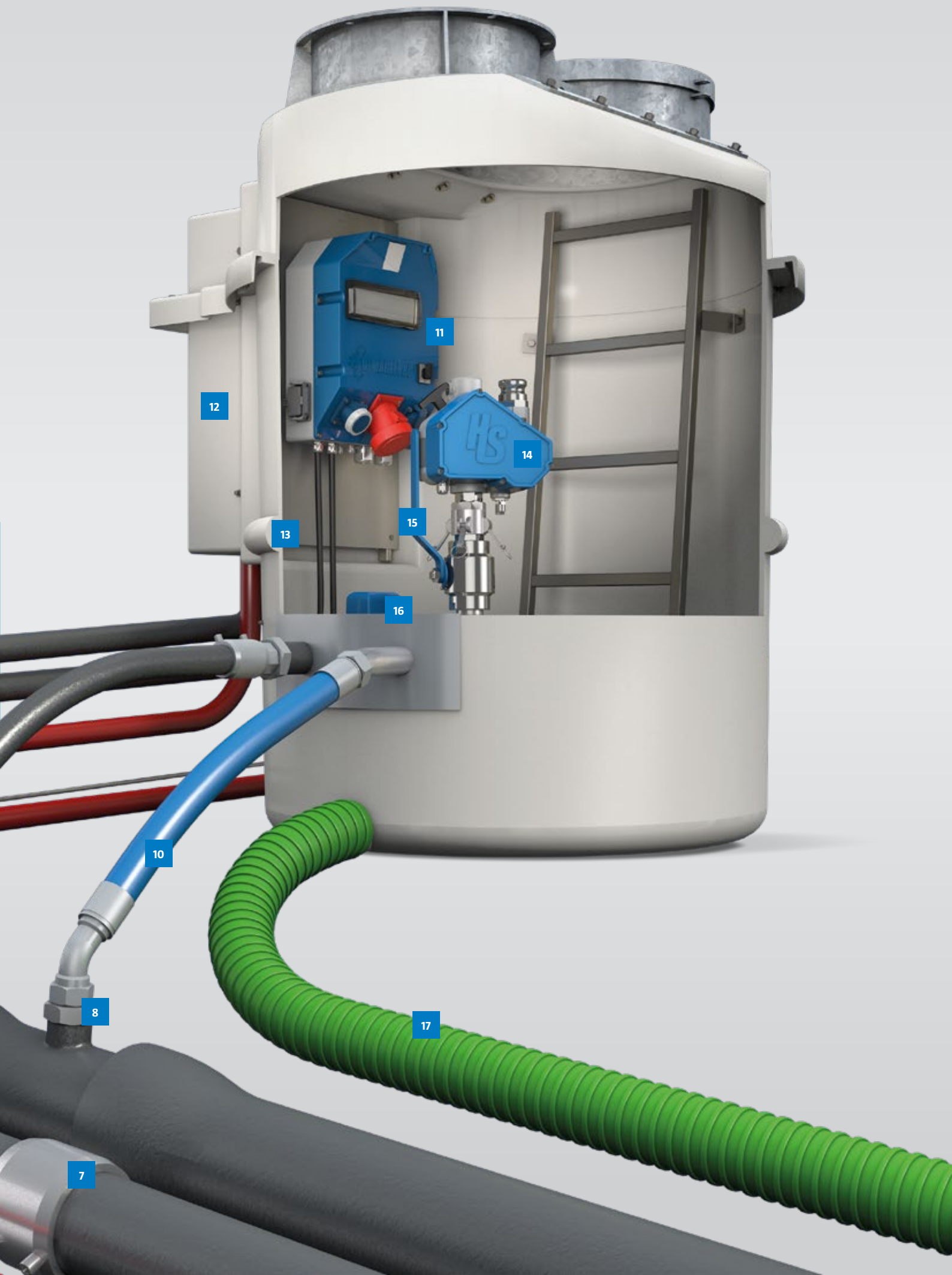
- 1 SUITABLE FOR **ALL TYPES OF SNOWMAKERS AND TOWERS OF A MAXIMUM** OF 3 METERS IN HEIGHT (WITH A REINFORCEMENT KIT, INCLINED LIFTS OF UP TO 4 METERS ARE ALSO POSSIBLE)
- 2 **VERY LOW WEIGHT** (THE TOTAL WEIGHT OF THE FULLY EQUIPPED PIT IS UNDER 250 kg), AND THEREFORE IDEAL FOR HELICOPTER TRANSPORT
- 3 MANUFACTURED WITH **FIBERGLASS PLASTIC** FOR A DRY AND CLEAN INTERIOR
- 4 **QUICK AND SIMPLE TRANSPORT** THANKS TO PREASSEMBLY AND READY TO CONNECT
- 5 **FLEXIBLE USE** THROUGH NUMEROUS POSSIBLE COMBINATIONS
- 6 **EASY ACCESS AND SPACIOUS INTERIOR** THANKS TO THE OPTIMAL FORM

FRP PIT Z160

- > Pit made of highly resistant fiberglass reinforced plastic (FRP) – versions according to requirements (see next page)
- > Especially developed for high-Alpine use and suited to all terrains
- > Suitable for lances, mobile snowmakers, fan guns on towers of a maximum of 3 meters in height (with a reinforcement kit, inclined lifts of up to 4 meters in height are also possible)
- > The standard version includes a galvanized access hatch, a ladder, a water supply with a ball valve, heating (100 W) and a connection for grounding
- > Easy access through the generous access hatch; a separate hatch allows for the direct assembly of permanently placed snow guns
- > Electrical and hydraulic equipment can be combined as needed
- > Electrical connection through branch tees or loop through variant; electrical supply through proved DLE solid rubber electrical equipment
- > Connections/openings of water pipelines, electricity lines and control lines have already been prepositioned at the ideal height
- > Water connection either through a lateral connection via a twofold reinforced hydraulic hose with special PE coating (PN 100), or through a lateral connection via a cast iron tap line with transition using P plugs
- > All components comply with norms for electricity and water as well as standard safety measures

- | | | |
|---|--|---|
| 1 PRESSURE PIPE | 8 BRANCHING OF THE WATER PIPELINE | 15 BALL VALVE FOR WATER LINE |
| 2 AIR PIPE (PE) | 9 STUB FOR COMPRESSED AIR (PE) | 16 AUTOMATIC AIR VALVE WITH BALL VALVE FOR COMPRESSED AIR SUPPLY |
| 3 POWER CABLE | 10 SPECIAL HYDRAULIC HOSE WITH PE COATING | 17 DRAINAGE PIPE |
| 4 DATA CABLE IN CABLE CONDUIT | 11 DLE ELECTRIC EQUIPMENT | |
| 5 GROUND WIRE WITH CROSS CONNECTOR | 12 RAILS SYSTEM FOR LOOP THROUGH VARIANT | |
| 6 TAPPING SLEEVE FOR AIR PIPE | 13 PIT HEATING | |
| 7 WELDED SLEEVE JOINT (PE) | 14 HYDROSYSTEM | |





11

12

14

13

15

16

10

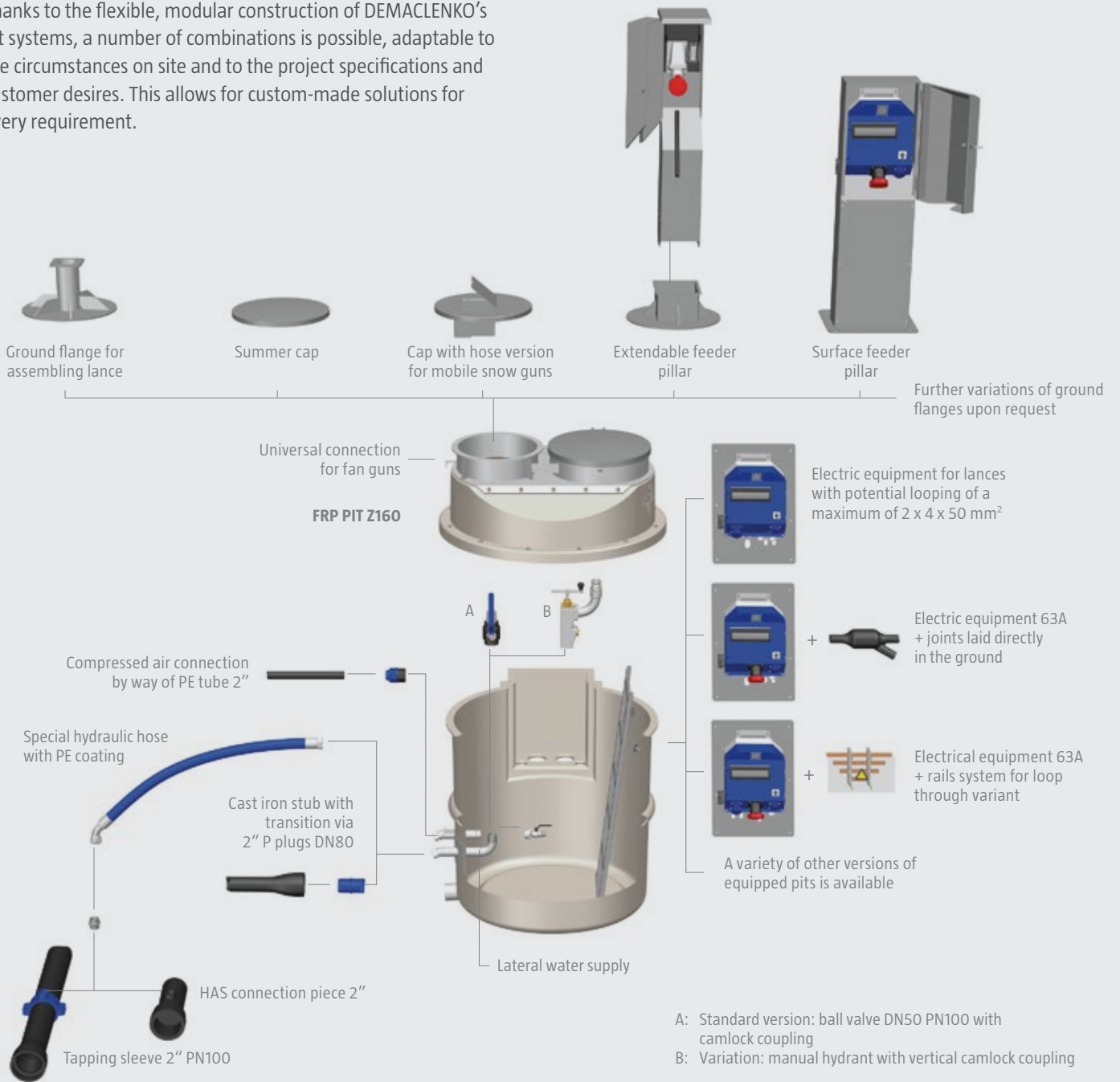
8

17

7

CONFIGURATIONS

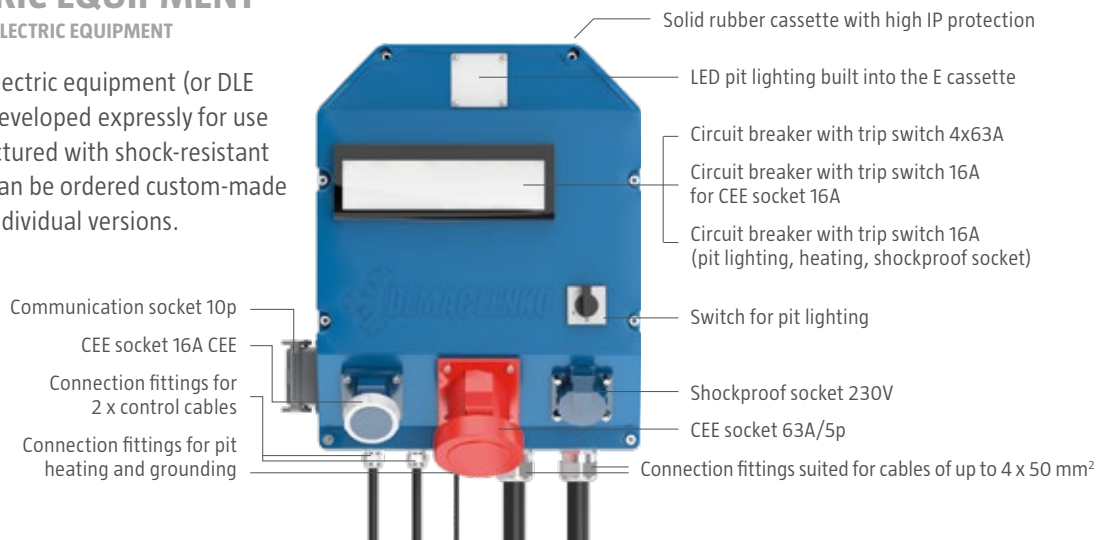
Thanks to the flexible, modular construction of DEMACLENKO's pit systems, a number of combinations is possible, adaptable to the circumstances on site and to the project specifications and customer desires. This allows for custom-made solutions for every requirement.



DLE ELECTRIC EQUIPMENT

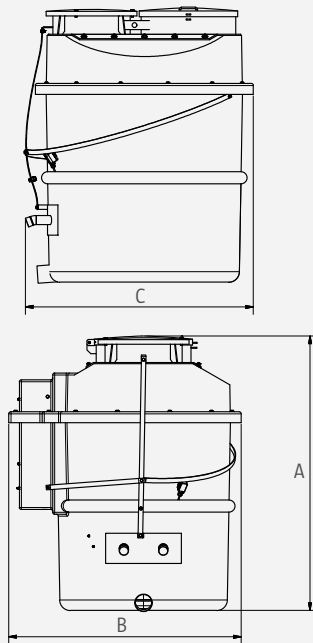
PICTURE: HYBRID ELECTRIC EQUIPMENT

DEMACLENKO electric equipment (or DLE for short) was developed expressly for use in pits. Manufactured with shock-resistant solid rubber, it can be ordered custom-made in a variety of individual versions.

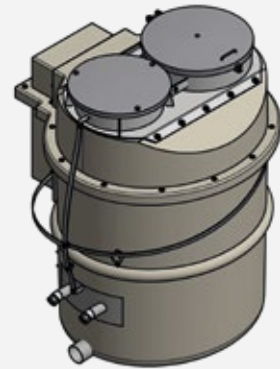




Z160



OUTER DIAMETER	130 cm
CLEARANCE HEIGHT	160 cm
A	180 cm
B	155 cm
C	150 cm
TOTAL WEIGHT (INCLUDING BASIC EQUIPMENT)	231 kg
WATER AND AIR SUPPLY	2"
CONNECTION FOR PIT HEATING	100 W



With a reinforcement kit, inclined lifts of up to 4 meters are also possible.



DEMACLENKO IT Srl

Griesbruck 14/B - Neidegg
I-39043 Klausen
Tel. +39 0472 061601
Fax +39 0472 061649
sales.italy@demaclenko.com

DEMACLENKO GmbH

Michael-Seeber-Straße 1
A-6410 Telfs
Tel. +43 5262 621 21
Fax +43 5262 621 21 3400
sales.austria@demaclenko.com

DEMACLENKO SCHWEIZ GmbH

Im Ehrmerk 11
CH-8360 Wallenwil
Tel. +41 71 9714866
sales.switzerland@demaclenko.com

DEMACLENKO FRANCE - LEITNER FRANCE SAS

Voie Galilée - Zone d'activité d'Alpespace - CS 50001
F-73802 Montmelian Cedex
Tel. +33 (0)4 79 84 77 77
Fax +33 (0)4 79 84 77 00
sales.france@demaclenko.com

DEMACLENKO AMERICA Inc

264 NH Route 106
US-Gilmanton, NH 03237
Tel. +1 603 267 7840
Fax +1 603 267 7843
sales.usa@demaclenko.com

DEMACLENKO AMERICA Inc

2746 Seeber Drive
US-Grand Junction, CO 81506
Tel. +1 970 241 4442
sales.usa@demaclenko.com